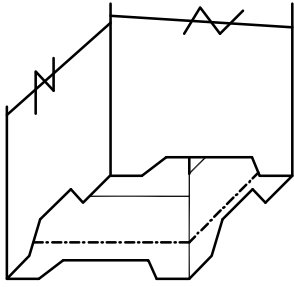
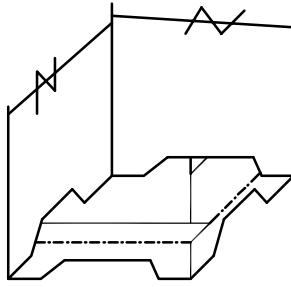


STREET-CLEAN: ASSEMBLY AND STORAGE INSTRUCTIONS

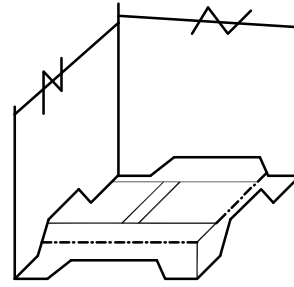
STEP ONE



① Fold all bottom flaps inward

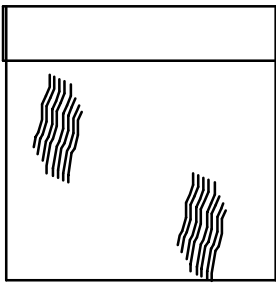


② Fold down small end flaps

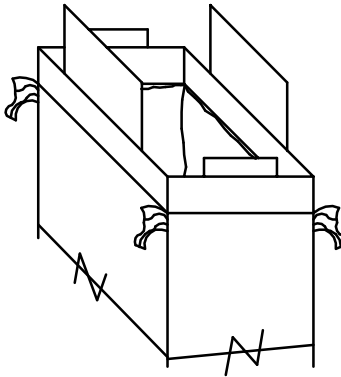


③ Fold down long flaps.
Press down to form a flat bottom.
The base of the box should look like this
The base should be strong

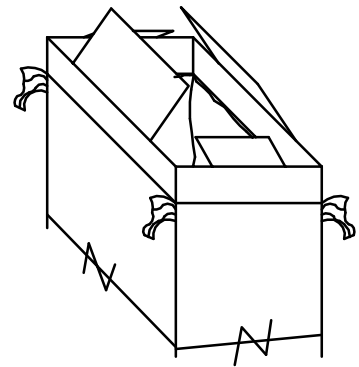
STEP TWO



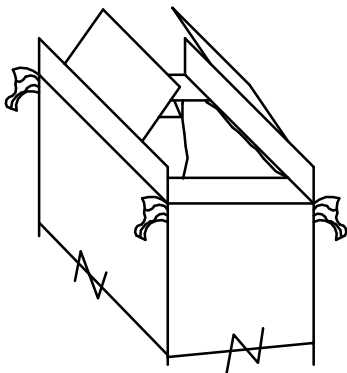
① Fold down the top 6" of the flexible bag liner out and down, over the body of the bag



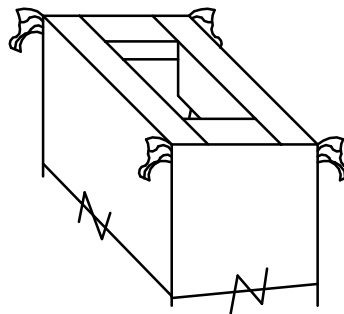
② Pull the flexible bag liner into the corners of the box – slots are provided to capture the bag and hold it in place.



③ Fold down top half of flaps at second fold line.



④ Fold small flaps down at first fold line
Depress the small flap to vertical



⑤ Fold large flaps down at first fold line,
interleave the large flap into the small
flap using the slots provided.
When complete the top should look like this.

STORAGE:

To prepare for storage, open all top flaps
push bottom flaps all the way inside,
flatten the box – do not crease the flat panels.

Re-apply the plastic overwrap and tape closed to minimize
moisture 'take-up' and potential mildewing. Store flat or vertical,
not at a slant, in a dry location.

STREET-CLEAN:

A product of:
ANDURAN, INC.
Union, South Carolina,
877-410-2044