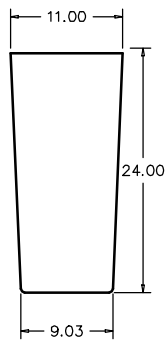
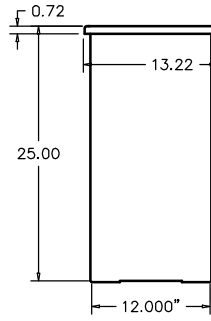


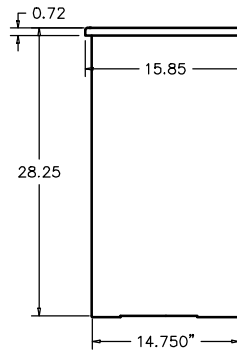
LT14R  
10 gal



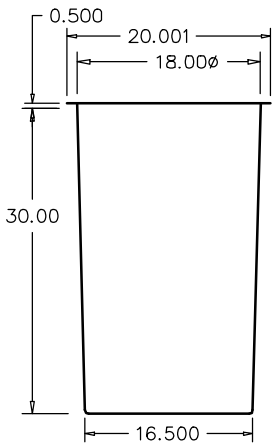
LT11R  
9 gal



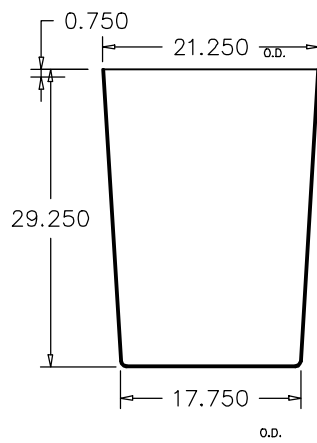
W10L  
8 gal



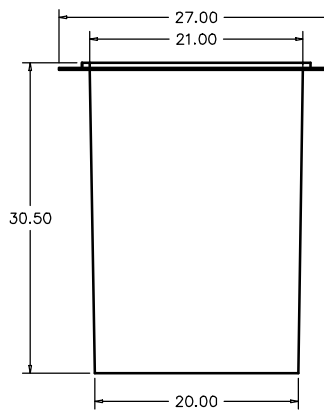
W20L  
21 gal



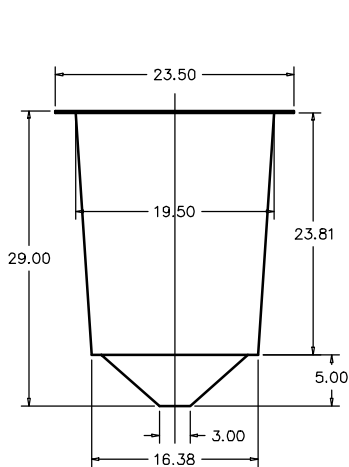
LT35R  
31/33 gal



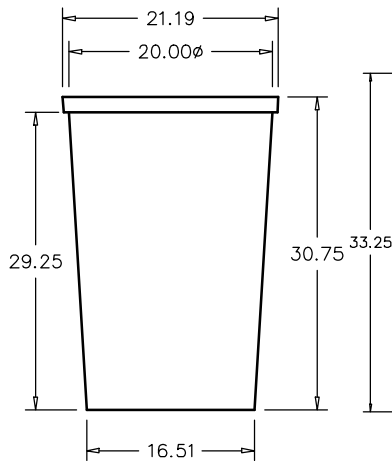
LT35R  
35 gal



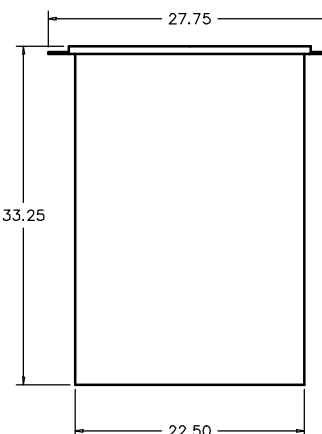
LF40  
40 gal



RC30  
25 gal



LF26R  
37 gal



W55L  
55 gal

**ROUND LINERS**

**ANDURAN, INC.**  
MAY 2004